

Grand®

LARGE DIAMETER REVOLVING DOOR



Elegance, energy efficiency and exceptional engineering describe the Grand® large diameter revolving door from Horton Automatics.

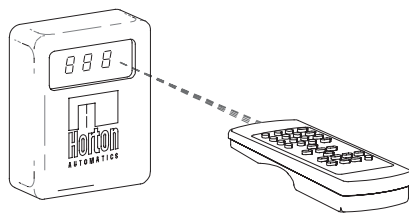
SERIES 9600



Innovative Features and Economical Performance

The **Grand®** turns an ordinary entrance into an energy-efficient vestibule system. This large diameter automatic revolving entrance not only controls heating/cooling costs and eliminates drafts, but it also creates a gracious, spacious opening. The **Grand®** has been engineered with an unmistakable touch-of-class. Engineers considered safety and reliability while creating an entrance with the largest possible opening – one that is always sealed.

The **Grand's®** spacious compartments provide functional, energy-efficient entrances to hospitals, airports, hotels and commercial buildings. The **Grand®** also offers a host of features for enhanced safety and convenience.



Exclusive wireless remote for setup and adjustment

Horton Automatics has the largest factory trained and certified distribution force to install, service and maintain your revolving doors anywhere in the world.

Standard Features:

- ▶ Reduced speed – two voice announcements for door slowing and resuming speed
- ▶ VistaStop™ electronic on-door sensing system with a verbal message
- ▶ FootGuard™ safety sensing system for bottom of wings
- ▶ Emergency stop (torque limiting)
- ▶ Large clear path for emergency egress
- ▶ Cushioned wall post safety edges
- ▶ Collapsible leading edge – 2 wing
- ▶ StormLock™ feature for high wind conditions
- ▶ Ceiling lights

Specifier Options:

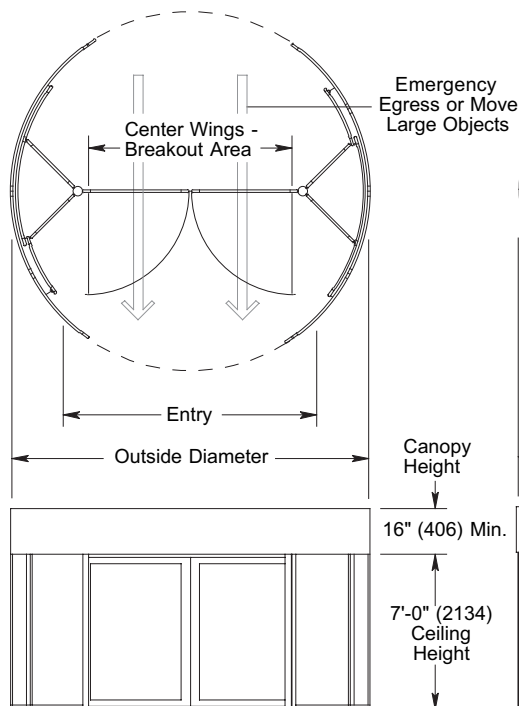
- ▶ Finishes (Anodized aluminum, paint, metal clad)
- ▶ Two, three and four wing designs
- ▶ Aluminum roof panel designs
- ▶ Glazing options
- ▶ Round or Segmented™ wall designs
- ▶ Extended canopy



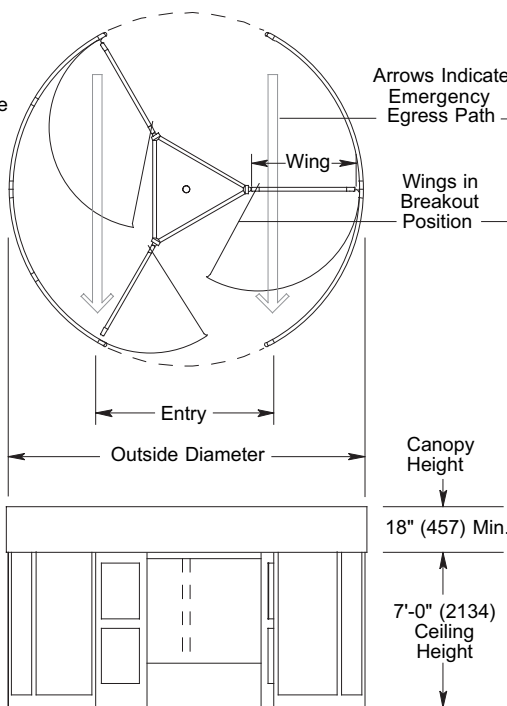
Grand[®]

Spacious compartments provide functional, energy efficient entrances to hospitals, airports, hotels and commercial buildings.

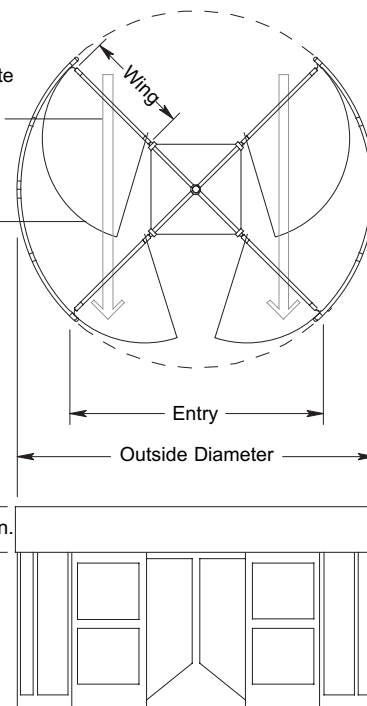
2-Wing



3-Wing



4-Wing



STANDARD PACKAGE DIMENSIONAL DATA	Nominal Outside Diameter			
		Nominal Outside Diameter	Entry	Door Wing(s) Width
	Two Wing	12'-0" (3600)	6'-6 3/4" (2000)	6'-6 3/4" (2000)
		14'-0" (4200)	7'-6 1/2" (2350)	7'-6 1/2" (2350)
		16'-0" (4800)	8'-10 1/4" (2700)	8'-10 1/4" (2700)
Three Wing	12'-0" (3658)	5'-1" (1549)	3'-1" (940)	
	14'-0" (4267)	6'-1" (1855)	4'-1" (1245)	
	16'-0" (4877)	7'-1" (2159)	5'-1" (1549)	
	18'-0" (5486)	8'-2" (2489)	5'-2" (1575)	
	20'-0" (6096)	9'-2" (2794)	6'-2" (1880)	
Four Wing	12'-0" (3658)	7'-7" (2311)	3'-2" (965)	
	14'-0" (4267)	9'-2" (2795)	3'-10" (1170)	
	16'-0" (4877)	10'-7" (3226)	4'-6" (1372)	



4242 Baldwin Boulevard
Corpus Christi,
Texas, U.S.A. 78405-3399
Tel: 800-531-3111, 361-888-5591
Fax: 800-531-3108, 361-888-6510
www.hortondoors.com

Horton Automatics, Ltd.
Unit A, Hortonwood 31
Telford, Shropshire, England TF1-7YZ
Tel: 01952 670169, Fax: 01952 670181
International Tel: ++44-1952-670169
International Fax: ++44-1952-670181



Form F510
© 2003 Horton Automatics
Printed in U.S.A.

Horton Automatics reserves the right to alter its product and specifications without notice.