

HD-Swing™

FIRE DOOR PACKAGE



The HD-Swing™ Fire Door Package offers a fire rated system that integrates a heavy duty concealed operator with door panel, exit device and framing. Another industry first!

Innovative Features and Economical Performance

The HD-Swing™ Fire Door Package offers the cleanest possible installation for fire rated applications in hospitals and other facilities requiring an automated fire door system. It is a complete door and frame package, with built-in exit device and concealed operator.

This package is a one-source solution for openings that must meet building, fire, and safety codes. It's modular construction and factory installed and aligned hardware assure reliable performance that is virtually maintenance free.

The automatic operator is designed for high traffic entrances providing safety, convenience and reliability while meeting ANSI requirements for high-energy operation. All door hardware exceeds NASI/BHMA Grade 1 standards. The low-profile exit device maximizes clear opening width and resists high wear and abuse. The door meets strict building codes as well as security and positive pressure tests. Together, this complete door system gives designers, builders and managers everything they need in an attractive, fire-rated installation.

With the largest factory trained and certified distribution team in the industry, Horton offers complete installation and service support for all your automatic door applications.

Standard Package Features:

- ▶ 18-gauge hollow metal door panel construction with honeycomb or steel stiffened core
- ▶ Low-profile push bar resists abuse and maximizes opening
- ▶ Heavy duty pinned continuous hinge
- ▶ All components factory installed for accurate alignment and operation
- ▶ Available in Single, Pair or Double Egress

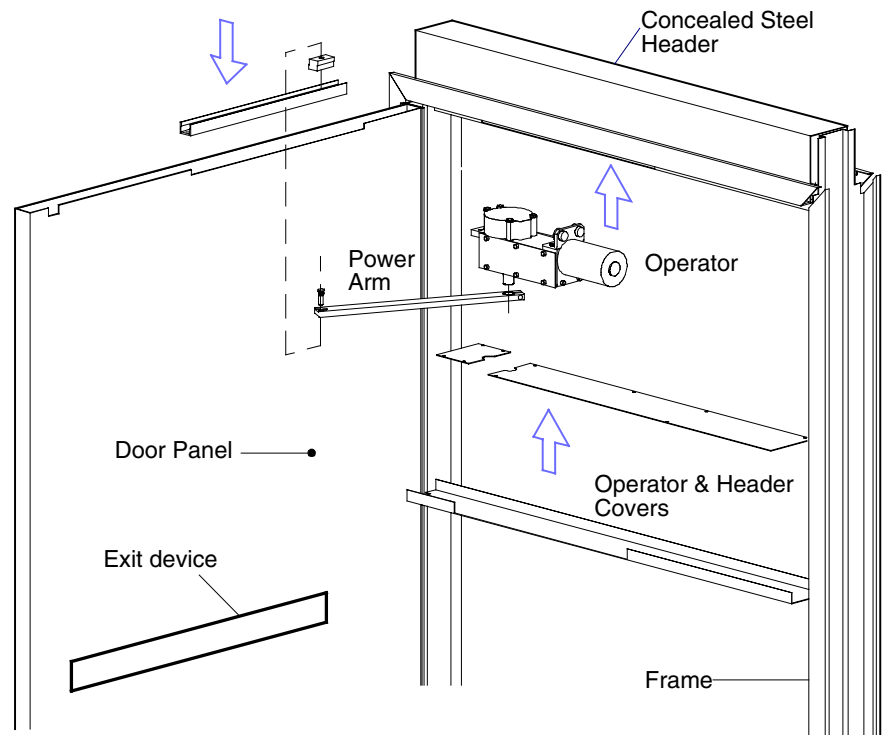
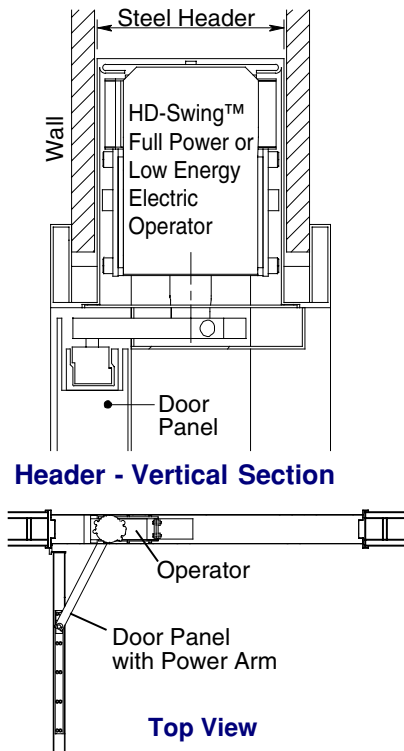
Standard Operator Features:

- ▶ Heavy duty operator with microprocessor controls and built-in diagnostics concealed within steel header
- ▶ Adjustable opening and closing speeds and time delay
- ▶ Push-N-Go™ function activates door when pushed
- ▶ Heavy duty or low energy automatic or typical manual operation
- ▶ SoftTouch™ reopens the door if obstructed while closing
- ▶ Quadracoil closing springs for reliability and durability



HD-Swing™ Fire Door Package

is a complete fire rated system that includes door, frame,
exit device and concealed heavy-duty automatic operator.



DOOR & FRAME SPECIFICATIONS

Fire Ratings	Pairs of Doors / Double Egress		Single Doors	
	8 ft. x 10 ft.	up to 3 Hours	4 ft. x 10 ft.	up to 3 Hours
	8 ft.-6 in. x 9 ft.	up to 90 Min.	4 ft.-3 in. x 9 ft.	up to 90 Min.
Construction	<ul style="list-style-type: none"> • 18 ga. Honeycomb Standard • 16 or 18 ga Steel Stiffened Optional • Temperature Rise Construction (to 450°) 			
Finishes	<ul style="list-style-type: none"> • Primed for Paint Standard • Plastic Laminate 	<ul style="list-style-type: none"> • Tnemec Pre-Finish Paint • Stainless Steel 		
Hinges	Heavy Duty Pinned Continuous Geared with Power Transfer Standard. Optional Hinges available			

EXIT DEVICE SPECIFICATIONS

Type	<ul style="list-style-type: none"> • Pairs of Doors - Top Rod Only • Single Doors - Top Rod & Mortise 	
Push Bar Finishes	<ul style="list-style-type: none"> • 313R1 Dark Bronze • 315R1 Black Anodized • 204R1 Clear Anodized • US3 Bright Brass • US4 Satin Brass 	<ul style="list-style-type: none"> • US9 Bright Bronze • US10 Satin Bronze • US32 Bright Stainless • US32D Satin Stainless
Push Bar Dimensions	<ul style="list-style-type: none"> • Standard 30", 36", 42" and 48" lengths • Protrudes 1/2" from Door Face when latched • Flush with Door Face when fully dogged 	



4242 Baldwin Boulevard
Corpus Christi,
Texas, U.S.A. 78405-3399
Tel: 800-531-3111, 361-888-5591
Fax: 800-531-3108, 361-888-6510
www.hortondoors.com

Horton Automatics reserves the right to alter its product and specifications without notice.

Horton Automatics, Ltd.
Unit A, Hortonwood 31
Telford, Shropshire, England TF1-7YZ
Tel: 01952 670169, Fax: 01952 670181
International Tel: ++44-1952-670169
International Fax: ++44-1952-670181



Form B600 Rev. 7/05
© 2004 Horton Automatics
Printed in U.S.A.