

HD-Swing™

HEAVY DUTY SWING DOOR SYSTEM



The HD-Swing™ is a heavy duty swing door operator with flexible configuration options to satisfy your entrance requirements.

SERIES 4000



Innovative Features and Economical Performance

The **HD-Swing™** is designed for high traffic entrances providing safety, convenience and reliability. The variety of header designs available will satisfy any architectural requirement. Its state-of-the-art control allows the operator to be used for a fully automatic or ADA compliant entrance.

Whether the requirement is for a complete door package or automation of an existing swing door, **HD-Swing™** is the solution. The controls allow this operator to meet either ANSI A156.10 (power operated) or ANSI A156.19 (low energy) requirements. Complete door packages conceal the operator in the door header. All swing door panels feature Horton's premium corner block construction for years of trouble-free operation. Additionally, Horton's swing door systems break out for emergency egress. The door can also be manually operated, with power on or off, without damage to the operator.

Horton Automatics has the largest factory trained and certified distribution team in the industry to support the installation and servicing of all your swing door entrances.

Standard Features:

- ▶ Adjustable opening and closing speeds
- ▶ Adjustable time delay for closing (2–30 seconds)
- ▶ Push-N-Go™ – activation when pushed
- ▶ Automatic or manual operation
- ▶ Low-energy & barrier-free entry
- ▶ Obstruction sensing – Reduces opening force if door meets obstruction
- ▶ SoftTouch™ – Reopens the door if obstructed during closing cycle
- ▶ Control has multiple inputs/outputs for interfacing with safety and security devices
- ▶ Quadracoil™ closing spring for high reliability and durability

Specifier Options:

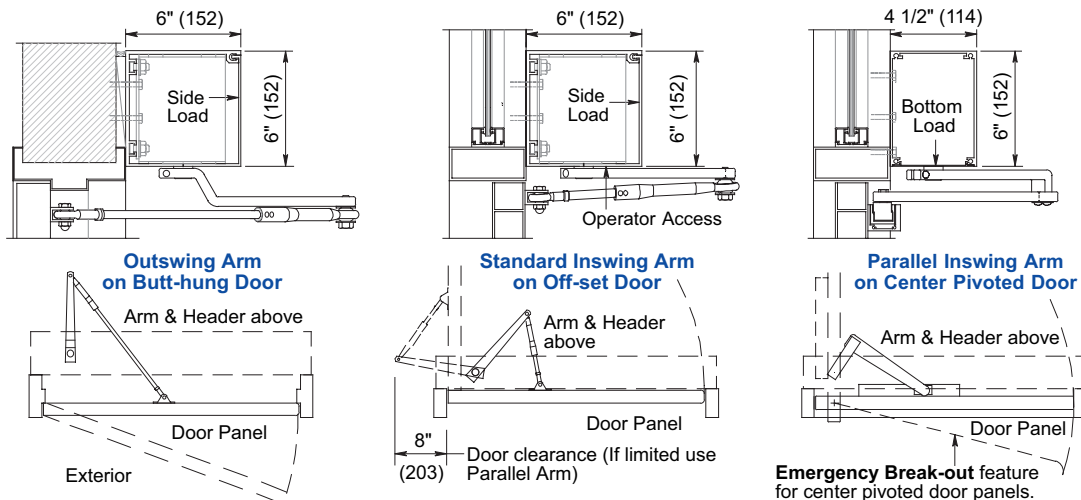
- ▶ Finish (Anodized aluminum, paint, metal clad)
- ▶ Configuration – bottom access, side access or full access headers
- ▶ Mounting options – overhead concealed or surface applied
- ▶ Door panels – narrow, medium and wide stiles
- ▶ Glazing options
- ▶ Muntins and bottom rails
- ▶ Overall dimensions
- ▶ Activation and safety packages
- ▶ Guide rails

HD-Swing™

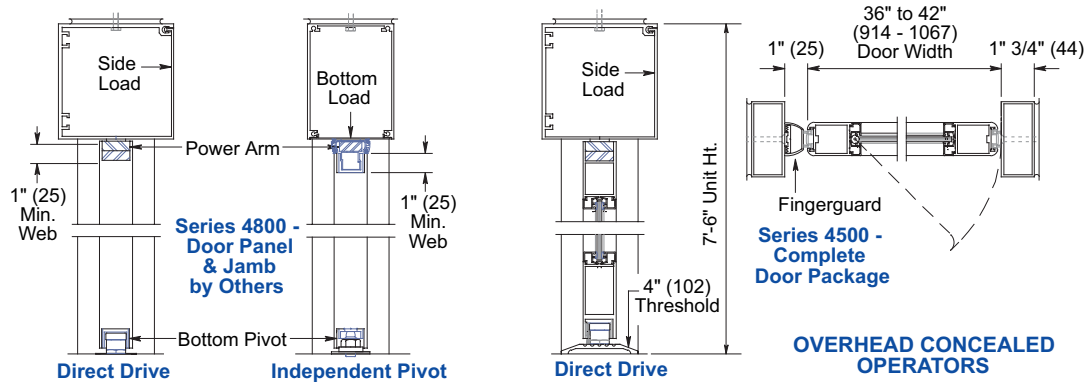
heavy duty swing door operator is designed for high traffic entrances providing safety, convenience and reliability. The variety of header designs available will satisfy any architectural requirement.

Series	Operator Mountng	Package Components	Header Profiles	Drive Arm
4100	Surface Applied	Operator, Controls & Header	6" x 6" (152 x 152) Side Load	Inswing, Outswing or Parallel
4900	Surface Applied	Operator, Controls & Header & UL listed Fire Exit Hardware	OR	Outswing
4500	Overhead Concealed	Complete Door Package		Direct Drive or Independent Pivot
4800	Overhead Concealed	Operator, Controls & Header	4 1/2" x 6" (114 x 152) Bottom Load	Direct Drive or Independent Pivot
4700	Surface Applied	Extra Heavy Duty* Operator, Controls & Header	6" x 6" (152 x 152) Side Load	Inswing, Outswing or Parallel

- Overhead Concealed operators are available as Single, Pair or Dual units. Center pivoted doors are required.
- Surface Applied operators are available as Single or Pair units.
- * Series 4700 designed to operate doors weighing several thousand pounds such as doors used in hospital x-ray treatment rooms.



SURFACE APPLIED OPERATORS



OVERHEAD CONCEALED OPERATORS



4242 Baldwin Boulevard
Corpus Christi,
Texas, U.S.A. 78405-3399
Tel: 800-531-3111, 361-888-5591
Fax: 800-531-3108, 361-888-6510
www.hortondoors.com

Horton Automatics reserves the right to alter its product and specifications without notice.

Horton Automatics, Ltd.
Unit A, Hortonwood 31
Telford, Shropshire, England TF1-7YZ
Tel: 01952 670169, Fax: 01952 670181
International Tel: ++44-1952-670169
International Fax: ++44-1952-670181



Form B504, Rev. 9/06
© 1992 Horton Automatics
Printed in U.S.A.