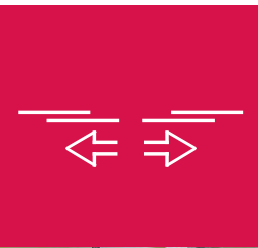


Profiler-ICU™

SLIDING DOOR SYSTEM



Horton Automatics manual Profiler-ICU™ sliding doors are the same proven quality construction as our automatic sliding doors.

Innovative Features and Economical Performance

The industry leading manual entrance system featuring a low profile header along with positive latch locking system and super strong break away making this a favorite for hospitals or any application where a manual slide door that also swings out is needed.

In hospitals, patients are always in full view through the sliding glass door yet staff activity and noise is not a factor. The full break away feature allows for all panels to swing out of the way providing a large opening for fast removal of patients or equipment.

Horton's ICU door panels are of the same proven, dependable, quality corner block construction as our automatic sliding doors which have been proven to withstand the grueling conditions in high volume applications such as retail stores, hospitals and airports.

Standard Features:

- ▶ Modular design header – 4" x 2.5" low profile
- ▶ Full breakout panels
- ▶ Two, three and four panel design
- ▶ Recessed pull handles

Specifier Options:

- ▶ Finish (Anodized aluminum, paint, metal clad)
- ▶ Positive latching device
- ▶ Overall dimensions
- ▶ Slide/Swing door combinations
- ▶ S-label doors
- ▶ Trackless bottom guide
- ▶ 4" x 6" self-supporting header

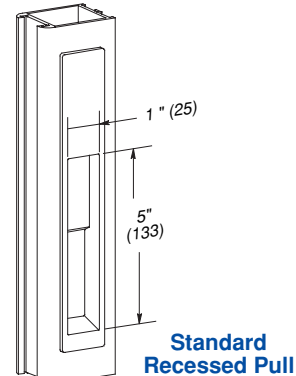
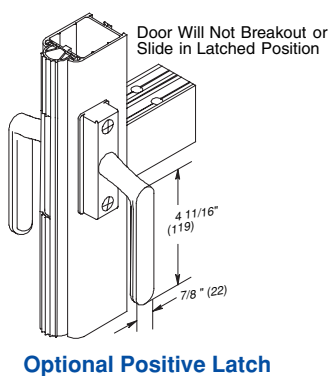
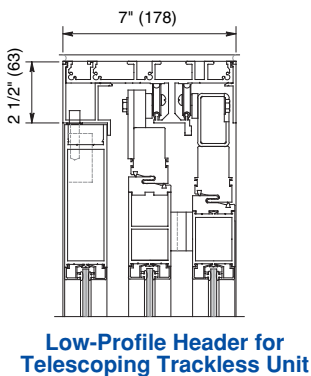
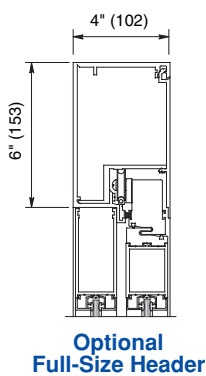
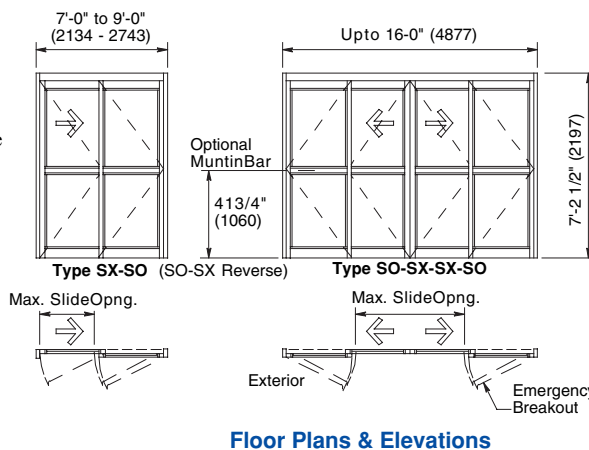
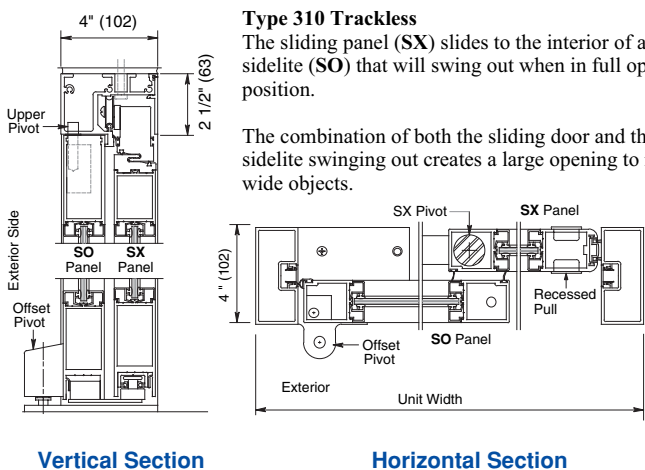
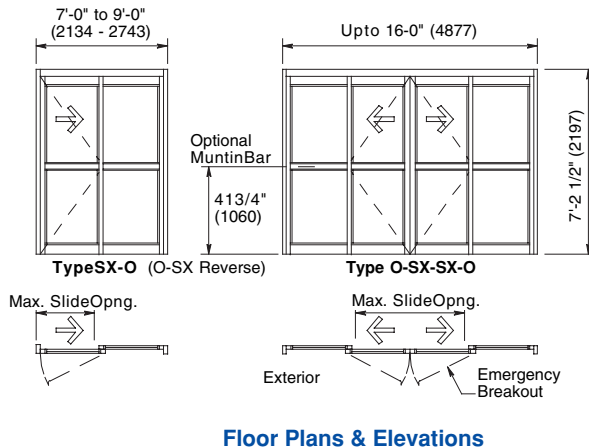
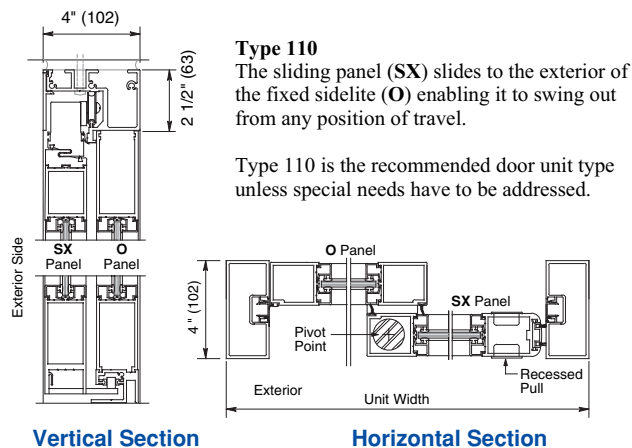
STANDARD PACKAGE DIMENSIONAL DATA

	Unit Width	Maximum Slide Opening	Breakout Opening	
			Type 110	Type 310
Single Slide	7'-0" (2134)	3'-0" (914)	3'-3 1/2" (1003)	6'-3" (1905)
	8'-0" (2438)	3'-6" (1067)	3'-9 1/2" (1156)	7'-3" (2210)
	8'-6" (2591)	3'-9" (1143)	4'-0 1/2" (1232)	7'-9" (2362)
	9'-0" (2743)	4'-0" (1219)	4'-3 1/2" (1308)	8'-3" (2515)
Bi-part	8'-0" (2438)	3'-0" (914)	3'-7" (1092)	6'-9 1/2" (2070)
	9'-0" (2743)	3'-6" (1067)	4'-1" (1245)	7'-9 1/2" (2375)
	10'-0" (3048)	4'-0" (1219)	4'-7" (1397)	8'-9 1/2" (2680)
	12'-0" (3658)	5'-0" (1524)	5'-7" (1702)	10'-9 1/2" (3289)
	14'-0" (4267)	6'-0" (1829)	6'-7" (2007)	12'-9 1/2" (3899)



Profiler-ICU™

Multiple header and threshold designs available to meet the requirements of the health care market.



4242 Baldwin Boulevard
Corpus Christi,
Texas, U.S.A. 78405-3399
Tel: 800-531-3111, 361-888-5591
Fax: 800-531-3108, 361-888-6510
www.hortondoors.com

Horton Automatics, Ltd.
Unit A, Hortonwood 31
Telford, Shropshire, England TF1-4GS
Tel: 01952 670169, Fax: 0192 670181
International Tel: ++44-1952-670169
International Fax: ++44-1952-670181



A Division of OverheadDoor Corporation
A Sanwa Shutter Company

Form A170, Rev. 7/05
© 1985 Horton Automatics
Printed in U.S.A.

Horton Automatics reserves the right to alter its product and specifications without notice.