

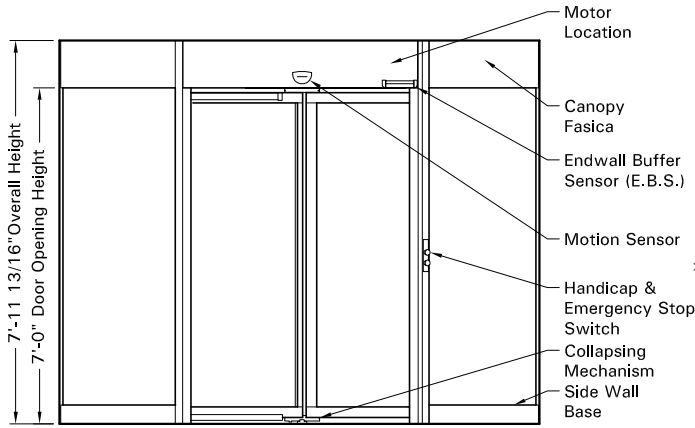


Your Entrance. Our Technology.

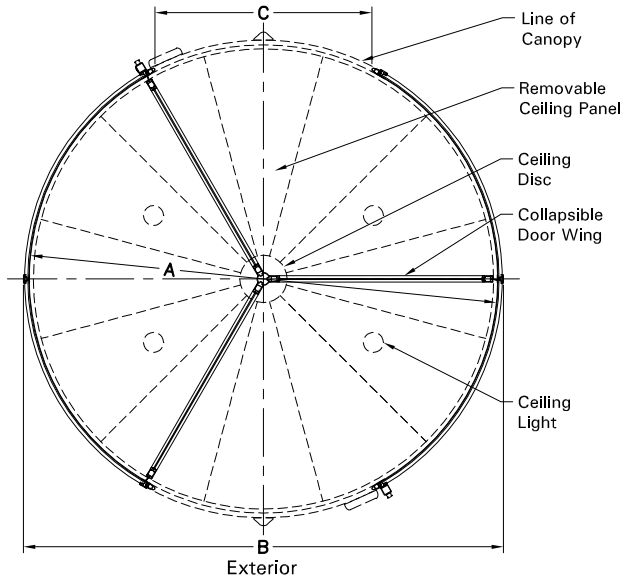
402 McKinney Parkway, Lillington, NC 27546 Tel: (910) 814-8100 Fax: (910) 814-3899 <http://www.boonedam.us>

TQ Automatic Revolving Door

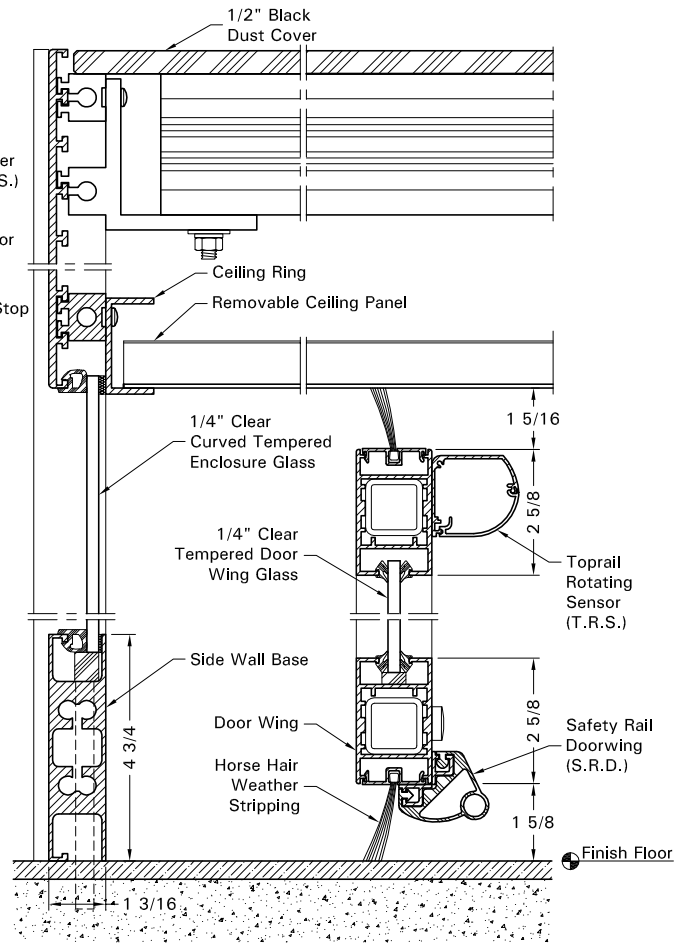
Reference Drawings



1 Elevation



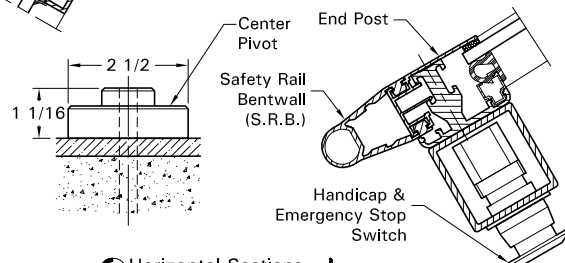
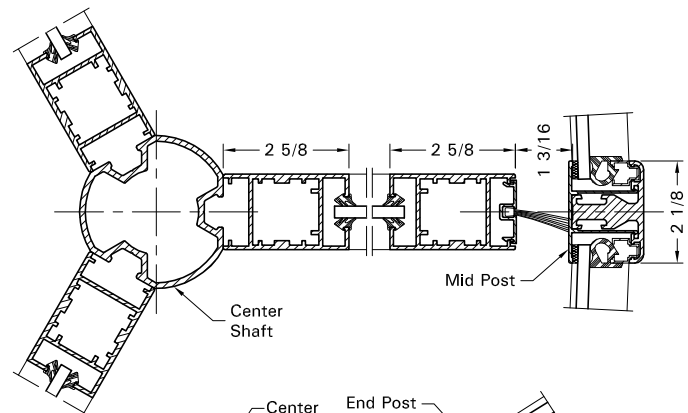
2 Plan View



3 Vertical Sections

Standard Door Sizes

Inside Diameter "A"	Outside Net Frame "B"	Throat Opening "C"
9'-9"	10'-0"	4'-6 3/16"
11'-9"	12'-0"	5'-6 1/8"



4 Horizontal Sections

Options:

- Extended Door Heights (Contact Factory)
- Extended Canopy Heights (Contact Factory)
- 2 Point Lock, Only with Medium Style Door Wing
- Medium Style Door Wing

Installation:

Door Installs on Finish Floor (No recess, rings, or cutouts required).
 Floor Must Be Dead Level.
 Power Supply from Above.
 Door Ties to Adjacent Storefront or Curtain-Wall System for Lateral Stability.
 Adjacent Construction Not to Bear Down on Any Part of Revolving Door.